



REPLY TO
ATTENTION OF

DEPARTMENT OF THE ARMY
THE INSTITUTE OF HERALDRY
9325 GUNSTON ROAD, ROOM S112
FORT BELVOIR, VIRGINIA 22060-5579

12 JUL 2013

AAHS-IHS (840-10a)

MEMORANDUM FOR Commander, HHC, 20th Engineer Brigade, Fort Bragg, NC
28310

SUBJECT: Flash and Background Trimming for the 20th Engineer Brigade

1. The beret flash and background trimming approved by memorandum TAPC-PDH-R, The Institute of Heraldry, 17 September 1990, is rescinded effective 16 September 2009.
2. This rescission is in accordance with AR 670-1. A copy of this letter will become a part of your permanent organizational history file.

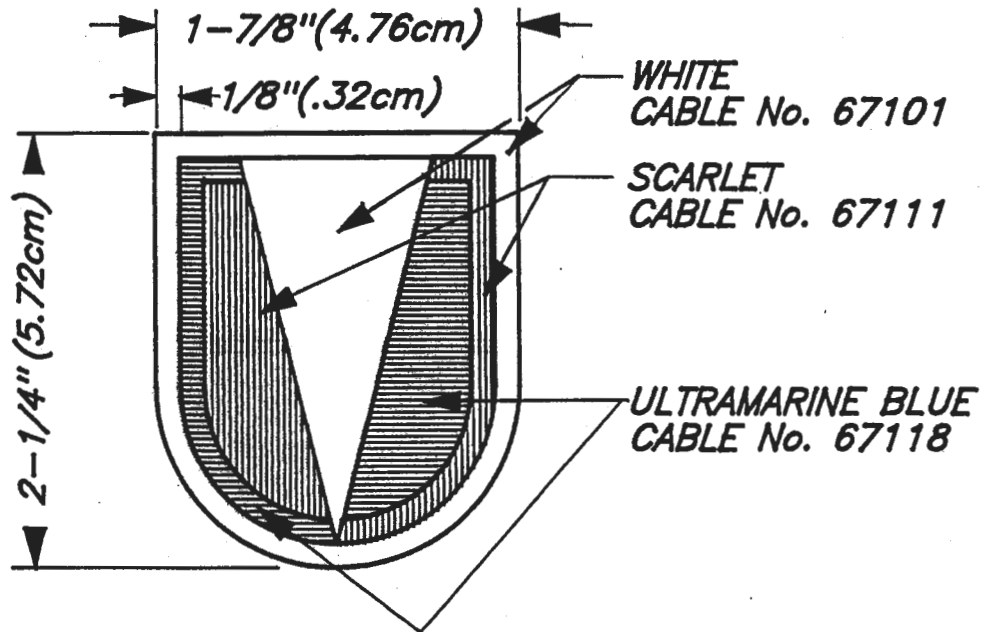
A handwritten signature in blue ink that reads "Charles V. Mugno".

CHARLES V. MUGNO
Director

CF: CMH

REVISIONS

LTR	DESCRIPTION	DATE	APPROVED
-----	-------------	------	----------



DESIGNED FOR OVEREDGE STITCHING

UNLESS OTHERWISE SPECIFIED DIMENSIONS ARE IN INCHES
TOLERANCES ON FRACTIONS DECIMALS ANGLES

THE INSTITUTE OF HERALDRY, U.S.ARMY
CAMERON STATION ALEXANDRIA, VA 22304-5050

EXAMINED	QP
CHECKED	JMH
PREPARED	egp

BERET FLASH FOR

20th ENGINEER BRIGADE

MATERIALS

APPROVED
G.T. Luchino
GERALD T. LUCHINO
ACTING DIRECTOR

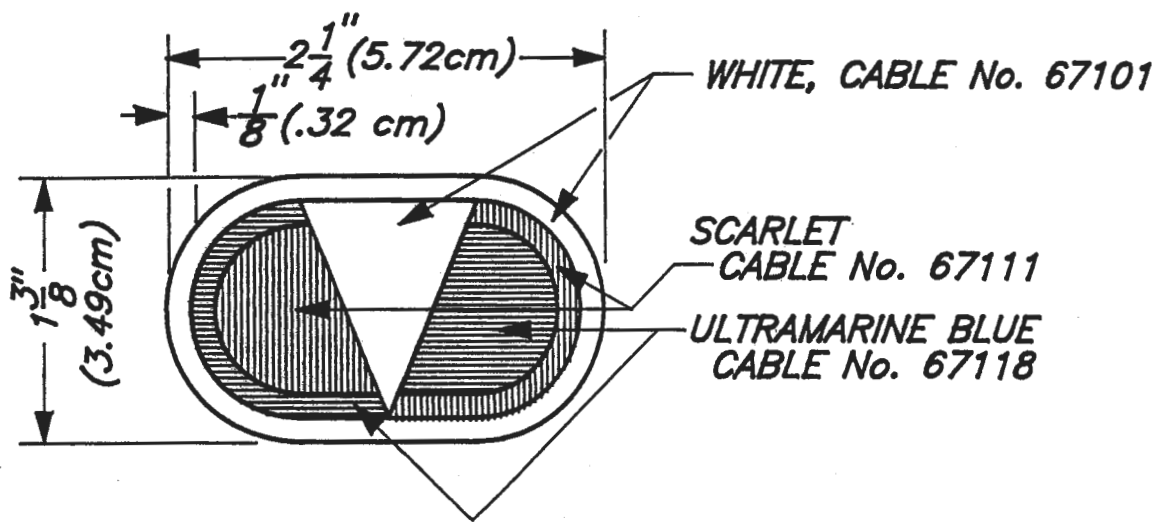
SIZE CODE IDENT. NO.
A 22571

A-4-70

SCALE FULL DATE 17 SEPTEMBER 1990

CANCELLED EFFECTIVE ▲ 16 SEPTEMBER 2009

REVISIONS			
LTR	DESCRIPTION	DATE	APPROVED



DESIGNED FOR OVEREDGE STITCHING

UNLESS OTHERWISE SPECIFIED DIMENSIONS ARE IN INCHES TOLERANCES ON FRACTIONS DECIMALS ANGLES	THE INSTITUTE OF HERALDRY, U.S.ARMY CAMERON STATION ALEXANDRIA, VA 22304-5050		
	EXAMINED	<i>JA</i>	
MATERIALS	CHECKED	<i>UM</i>	
	PREPARED	<i>egp</i>	
	APPROVED	<i>G.T. Luchino</i> GERALD T. LUCHINO ACTING DIRECTOR	
BACKGROUND TRIMMING FOR		SIZE	CODE IDENT. NO.
20th ENGINEER BRIGADE		A	22571
		A-6-98	
SCALE FULL		DATE 17 SEPTEMBER 1990	

CANCELLED EFFECTIVE \blacktriangle 16 SEPTEMBER 2009